

Official Premium List

Western Gazehound Club



Two CKC Lure Coursing Field Trials

October 9th and 10th, 2021

ROLL CALL : 9:30 A.M

Rancho el Rio del Sol Farms
1401 Kennedy Road
Harrison Mills, B.C.

Entries close at 9:00 PM, October 1st, 2021. There will no day-of entries.
Puppy and Single Stakes are limited to 5 runs each on Saturday.

Judges

Judy Dixon

10143 Klitsa Drive
Port Alberni, B.C. V9Y 9A7 – all stakes

John Girgan

50-3560 Hallberg Rd.,
Ladysmith, B.C. V9G 1L4 – all stakes

Lure coursing equipment will be a battery powered drag line with white plastic streamers. A continuous loop machine may be utilized for backup.

Lure Operator: Ed Molloy

CKC APPROVED

These events held under the rules of the Canadian Kennel Club

WESTERN GAZEHOUND CLUB OFFICERS OF THE CLUB

President Wendy Petersen
Treasurer Georgie Paone

Vice President Lynn Haywood
Secretary Krista Prockiw

Field Trial Chair

Katie McCormick

Field Trial Committee

Wendy Petersen, Katie McCormick, Ann Fessenden, Lesley Otteson, Lynn Haywood

Field Trial Secretary

Susan Mitchell
P.O. Box 31663, Pitt Meadows, B.C. V3Y 2H1
osusanna@lightspeed.ca

Enter online at



A service charge of 10% will be assessed. This includes entries sent online or post using a credit card or interac for payment.

Local Veterinarian

Dr. Laura Madsen,
Kent Veterinary Clinic
6948 Pioneer Ave., Agassiz, BC
604-796-9401

CKC OFFICERS

Canadian Kennel Club

Jeff Cornett, Executive Director
200 Ronson Drive, Suite 400,
Etobicoke, ON,
M9W 5Z9

CKC Director

Tempest Deptuch, BC SW Zone 11
zone11director@ckc.ca

CKC Lure Coursing Representative
BC SW Zone 11

Debra Verzyl
orru@shaw.ca

ELIGIBLE ENTRY

The trials are open to the following breeds Afghan Hound, Azawakh, Basenji, Borzoi, Greyhound, Ibizan Hound, Italian Greyhound, Irish Wolfhound, Pharaoh Hound, Rhodesian Ridgeback, Saluki, Scottish Deerhound or Whippet that is one year of age or older on the date of the trial. Dogs eligible for individual registration or an ERN that are breeds designated as Sighthounds are eligible to enter, provided they have a Temporary Competition Number (TCN)

All entrants must

- (a) be individually registered with the CKC (have a CKC registration number),
- (b) have an Event Registration Number (ERN),
- (c) have a Performance Event Number (PEN),
- (d) be eligible for registration with the CKC

Hounds with breed disqualifications, altered or neutered are eligible to enter the lure coursing field trial. Hounds presently disqualified under CKC, AKC or ASFA coursing rules are ineligible for the Open Stake.

IMPORTANT NOTICE Hounds entering their first trial in Canada must be tested with another dog that is not a kennel mate, and certified running clean by a licensed judge. The CKC Hound Certification form, available from the Trial Secretary must be completed and submitted with the entry at the hound's first trial. Hounds with the following are exempt ASFA (FCh or LCM), AKC (QS, SC or DC), BUT are still required to submit the Hound Certification form at their first Canadian trial with their name and exempt title(s) circled.

CKC Hound Certification form <https://www.ckc.ca/en/Files/Forms/Shows-Trials/Club-Forms/Hound-Certification-Form-No-150-02-50>

ENTRY FEES

Entry Fees if received before 9:00 PM October 1st, 2021	
<i>Per hound, per entry</i>	
First dog	\$21
Additional dog, same owner, same trial	\$18
Temporary Competition Number (TCN) fee	\$10.50
Kennel Stake (offered Saturday)	\$5
Puppy Stake (Saturday only)	\$5
Single Stake ((Saturday only)	\$5
Breeder Stake (offered Sunday)	\$5

Entry Fees if received after 9:00 PM October 1st, 2021	
<i>Per hound, per entry</i>	
First dog and additional dog	\$30
Temporary Competition Number fee	\$10.50

Roll Call at 9:30 a.m.

RUNNING ORDER Dogs will be run by breed in alphabetical order on Saturday and reverse alphabetical order on Sunday. Mixed stakes will be run at the end. The running order is subject to change by the judges if this makes the running more efficient. Puppy and single stakes will be run after all of the other runs on Saturday.

BITCHES IN SEASON Bitches in season shall not be eligible to enter the test.

STAKES OFFERED

Open All hounds, including Field Champions.

Mixed Multiple breeds with entries of three or less, with the owners' agreement.

Best In Field Best of Breed (BOB) and Mixed Stake winners may compete (no points toward titles) on Sunday October 4, 2020.

Puppy Stake: Offered on Saturday and limited to 5 dogs only. This is open to dogs aged 6 to 18 months on the day of the event.

Single (Non-regular) Stake: Offered on Saturday and limited to 5 dogs only. This is open to any dog NOT entered in a regular class. This is NOT a regular stake.

Kennel Stake Offered on Saturday, determined by tally of scores. This is open to any 2 hounds entered in the regular stakes owned and kenneled by the same person. Total of scores earned in the regular stake shall determine the winner.

Breeder Stake Offered on Sunday, determined by tally of scores.

Stakes are defined in section 9.1 of the rulebook.

RIBBONS AND PRIZES Ribbons will be offered for all placements First place through to Next Best Qualified (NBQ). Rosettes and/or Prizes will be awarded to BOB winners and First in Mixed Stake, and to the Best In Field, Kennel Stake and Breeder Stake winners.

LURE FIELD TRIAL CHAMPIONSHIP POINTS

Per CKC Lure Field Trial Rules & Regulations, Chapter 7, Section 1

First place – four X number competing to a maximum of 40 points.

Second place - three X number competing to a maximum of 30 points.

Third place - two X number competing to a maximum of 20 points.

Fourth place - one X the number competing to a maximum of 10 points.

NBQ - no points awarded.

ADDITIONAL INFORMATION Hounds not present at Roll Call will be scratched and entry fee not refunded. Bitches in season and lame hounds will have their entry refunded provided notice is given at or before Roll Call. The Club requests all competitors or spectators NOT to bring a bitch in season onto the grounds.

Stakes will be split if the entry in any breed reaches 24 or more at Roll Call.

All handlers must use a slip lead when releasing their hounds. Hounds may wear muzzles and/or catch collars at their owners' discretion. Leg wraps must be in neutral colours.

There will be a walking start. Do not release your dog before the "T" in "Tally-ho" or the dog may be assessed a pre-slip penalty of between 1 and 10 points for that run by each judge.

It is the responsibility of the exhibitor to be familiar with the rules pertaining to the event in which they are competing. Copies of the CKC Lure Coursing Field Trial Rules & Regulations are available from the Canadian Kennel Club. Tel 1-800-250-8040 or online from <https://www.ckc.ca/en/Files/Forms/Shows-Trials/Event-Rules-Regulations/Lure-Coursing-Field-Trial-Rules-and-Regulations.aspx>

CKC REGULATION It shall be the duty and obligation of the trial-giving club to see that a judge, club official, volunteer or any participant at an event held under these rules is not subject to indignities of any kind. The Field Test Committee Chair shall promptly report to the CKC any infringement of this regulation, and the Discipline Committee shall have the authority to take such action as it deems fit on receipt of a report indicating that this has occurred.

TRIAL SITE Bring water, shade and shelter for you and your dogs. These tests will be run **rain or shine**. All dogs must be under control, on a leash except during the trial. **Flexi leads will not be allowed on the trial grounds.** A port-a-potty will be available at the field. Wear appropriate footwear for traction and protection.

A \$10.00 fine will be levied against the owner of any hound loose on the field.

Clean up after yourself and your dog so that we will be welcome to use this site again. A \$10.00 fine will be levied against the exhibitor who does not scoop after their dog. Please properly dispose of trash (e.g. cigarette butts, dog poop) since this is an agricultural field. As courtesy to those who transport all trial equipment and garbage cans, please do not let your dog mark on them.

LOCATION: Rancho el Rio del Sol Farms, 1401 Kennedy, Harrison Mills, B.C.

Google map: <https://goo.gl/maps/MUzWTe3bdt8qJpLKA>

Directions: From Vancouver: Hwy 1 to Abbotsford – cross Fraser River to Mission continue East on Lougheed Hwy, ca. 15 km, go over Harrison River bridge, turn left on Kennedy, about 2 km past camp ground, turn right, continue for 1 km. Do not park on ground between camp ground and bowl.

From Hwy 1, take Agassiz exit, on through Agassiz, heading to Lougheed Hwy and all the way to Harrison Mills; turn right at Kennedy Rd follow road to camp ground, turn right - continue for 1 km. Do not park on ground between camp ground and bowl.

ROLL CALL: 9:30 a.m.

ACCOMODATION:

Mission – Pet friendly hotels - ca 20 km distance from field

Clarion Hotel, \$100

Comfort Inn - \$118

Harrison Hot Springs - ca. 25 km distance from field

Harrison Lake Hotel – pet friendly - \$126

Camping - contact Wendy Petersen, petersen1@telus.net

Camping on field:

Only limited pre-booked, overnight stays allowed.No shade, NO WATER, no electricity

Dog ShowTM.ca

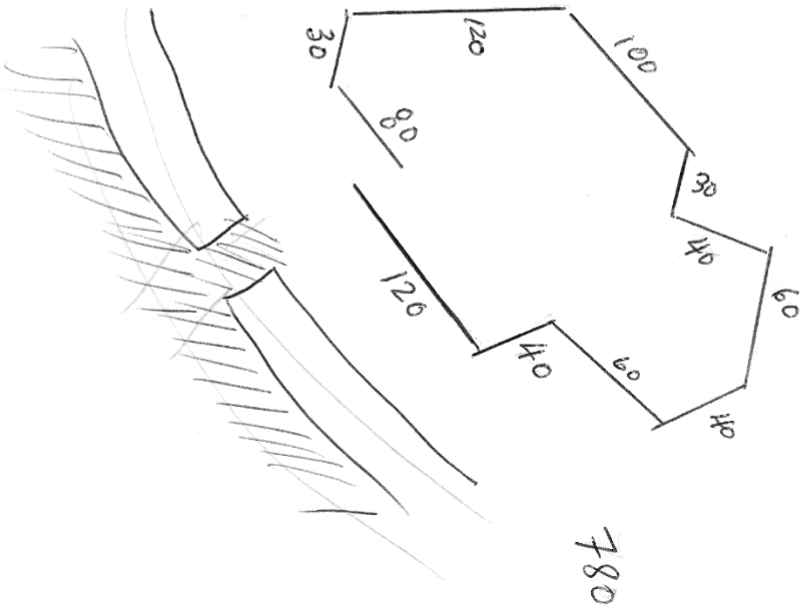
ENTER ONLINE @ WWW.DOGSHOW.CA

TOLL FREE FAX: 1-877-99-ENTRY (36879)

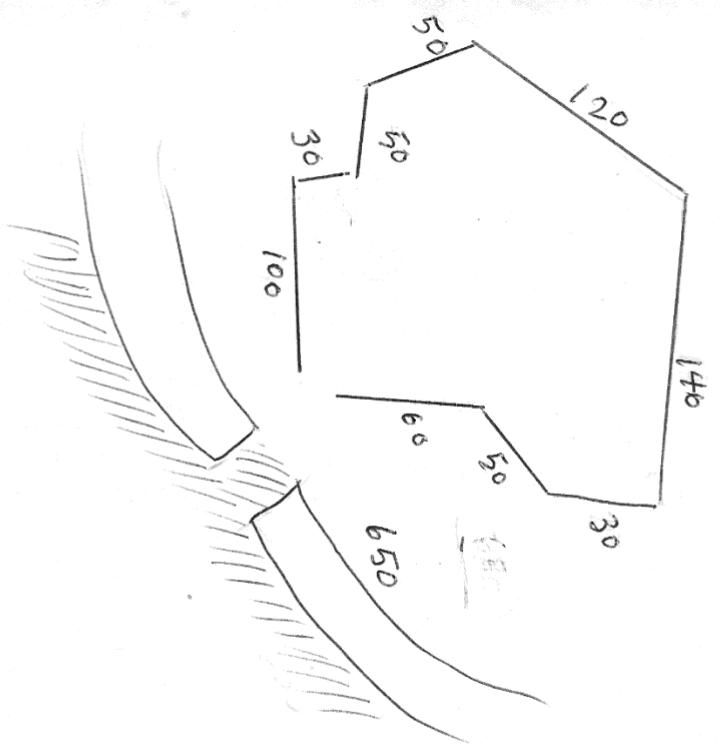


A service charge of 10% will be assessed. This includes entries sent online, by fax or post using a credit card or Interac for payment.

UCC COURSE PLAN
SATURDAY OCT 9



SUNDAY OCT 10





Official Canadian Kennel Club Entry Form
Western Gazehound Club

Please complete one form per hound per entry

Entry Fee \$	Listing Fee \$	Total \$
Breed	Call Name	Sex <input type="checkbox"/> Male <input type="checkbox"/> Female
Saturday, October 9, 2021		Sunday, October 10, 2021
<input type="checkbox"/> Open <input type="checkbox"/> Puppy <input type="checkbox"/> Single <input type="checkbox"/> Kennel Stake		<input type="checkbox"/> Open <input type="checkbox"/> Breeder Stake
Registered Name of Dog		
<input type="checkbox"/> CKC <input type="checkbox"/> ERN <input type="checkbox"/> PEN <input type="checkbox"/> MCN <input type="checkbox"/> TCN		Enter Number Here
Place of Birth <input type="checkbox"/> Canada <input type="checkbox"/> Elsewhere		Date of Birth (DD/MM/YYYY)
Breeder(s)		
Sire		
Dam		
Registered Owner(s)		
Owner's Address		
City	Province/State	Postal/Zip Code
Name of Handler		
Handler's Address		
City	Province/State	Postal/Zip Code

I certify that I am the registered owner(s) of the dog or that I am the authorized agent of the actual owner(s) whose name(s) I have entered above and accept full responsibility for all statements made in this entry. In consideration of the acceptance of this entry, I (we) agree to be bound by the rules and regulations of The Canadian Kennel Club and by any additional rules and regulations appearing in the premium list.

Signature of Owner or Agent

Telephone Number

Email:

COVID 19 PROTOCOLS

The following protocols align with guidelines and orders from the BC Provincial Health Office as were in effect at the time the Premium List was produced. The Event will be run under the Provincial Health Orders in effect on the dates of the trials. We urge you to consider everyone's health and safety, wear masks if you wish, and abide by the rules - not everyone is fully vaccinated!

- Anyone who identifies as having symptoms, been out of the country within 14 days, testing positive or having been in proximity with someone testing positive, will be given a refund and will not be allowed to attend the event.
- Handlers will receive a refund of entry fees if this event is cancelled due to changes to BC Provincial Health Officers orders or guidelines in effect closer to the event.
- Handlers check in upon arrival before proceeding to the field.
- We ask that only handlers, and those accompanying them to assist with their dogs, attend the event in order to keep the numbers down.
- We are practicing social distancing. Please keep two meters between yourself and others whenever possible and refrain from approaching volunteers (e.g. lure operator, hunt master, field clerk, secretary, judges etc.)
- Handlers will check their own bitches for being in season and show the tissue to the inspection team.
- Judges and field clerks may choose to wear masks.
- Dogs will be released as usual. Handlers are encouraged to wear masks when releasing and catching their dogs.
- A portable toilet with a hand washing station will be available. Handlers are encouraged to bring their own hand sanitizers.

Please, let's keep everyone safe!

Western Gazehound Club



Waiver

By signing this document you will waive certain legal rights, including the right to sue or claim compensation following an accident. Please read this document carefully.

I,(print name), certify that I am the actual owner of this/these dog(s)(print name of dog(s)), or that I am the duly authorized agent of the actual owner whose name I have entered above. In consideration of the acceptance of the entry and the opportunity to have the dog judged, and to win a ribbon and points at the Lure Coursing Field Trial events to be held on October 9 & 10, 2021, I agree:

1. To hold the Western Gazehound Club including its members, directors, officers and employees (collectively defined as WGC), as well as the owner and leaser of the real property on which the event is held, harmless from any claim for loss or injury which may be alleged to have been caused directly or indirectly to any person or thing by the act of myself or my dog(s) while in or about the event premises or grounds near the entrance thereto and I assume all responsibility and liability for any such claim.
2. To hold WGC harmless from any claim for loss of this/these dog(s) by disappearance, theft, death or otherwise and from any claim for damage or injury, even if such loss or damage/injury was caused or alleged to be caused by the negligence of WGC or any other person(s).
3. Assume the sole responsibility for and agree to indemnify, defend and save WGC harmless from any and all loss and expense, including legal fees, by reason of the liability imposed by law upon WGC for damage because of bodily injuries, including death at any time resulting there from, sustained by any person(s) including myself, or on account of damage to property, arising out of or in consequence of my participation in the event, however such injuries, death or property damage may have been caused and whether or not the same may have been caused or alleged to have been caused by the negligence of WGC or any other person(s).
4. That any cause of action, controversy or claim arising out of or related to the attendance at the event between WGC and myself or as to the construction, interpretation and effect of this waiver shall be settled by arbitration in the province of British Columbia.
5. That WGC has the right to refuse this entry for cause, which WGC will deem sufficient.

.....
Signature

.....
Date

Signature of parent/guardian is required for children under 18 years of age.

THIS WAIVER MUST ACCOMPANY PAPER ENTRIES OR THEY WILL NOT BE ACCEPTED. HANDLERS ENTERING ELECTRONICALLY MUST SIGN A WAIVER AT CHECK IN.

