

*OFFICIAL PREMIUM LIST*

*MANITOBA GRAZEHOUND CLUB*

*2 Licensed Lure Field Trials*

*July 12 & 13, 2014*

*Morrison Sports Park  
Oakville, Manitoba*

**JUDGES:**

*Diane Ford-Box 4, Domain, Mb. R0G 0M0*

*Christine Gillies- 385 Amherst St., Wpg, Mb R3J 1Z1*

*Linda A Smith- 11228 100 Ave NW, Edmonton, Alta. T5K 0H9*

*Lure Course Operator: Ken Hewitt, Christine Gillies*

**SEND ENTRIES TO: Trial Secretary**

*Valerie Andrey*

*Box 892*

*Carberry, Manitoba R0K 0H0*

*204-834-2997*

*[Stinger1@mymts.net](mailto:Stinger1@mymts.net)*

**PRE-ENTRIES CLOSE: JULY 4, 2014**

**FIELD ENTRIES CLOSE: 30 minutes prior to Roll Call**

**Entries cannot be accepted by phone.**

**Roll Call Saturday and Sunday – (July 12 & 13th) 9:00am**

***This Event held under the rules and regulations of the CANADIAN KENNEL CLUB.***

## OFFICERS OF THE CLUB

Event Superintendent : Tannis Tindell  
President: Tannis Tindell  
Vice President: Christine Gilles  
Secretary: Val Andrey  
Treasurer: Val Andrey  
Event Secretary: Valerie Andrey

### *Entry Fees*

Pre-Entry: (up to July 4 ,2014)

\$20.00 1<sup>st</sup> hound per trial

\$17.00 2<sup>nd</sup> and subsequent hound per trial

Post-entry – (after July 4 ,2014 & up to ½ hour prior to roll call) \$25.00 per dog

### Other Fees:

\$10.00 Singles Competition **See description**

**\$10.00 per entry/stake – All unofficial classes**

**\$8.40 CKC listing fee for all non- CKC registered hounds (includes 5% GST)**

**\$25.00 fee for NSF cheques**

Make cheques payable to MANITOBA GAZEHOUND ASSOCIATION

Any overpayment of entries fees is considered a trophy donation

NO CREDIT CARDS or POSTDATE CHEQUES will be accepted

### STAKES OFFERED

<u>Open stakes</u>	For all hounds including Field Champions
<u>Best in Field</u>	For all Best of Breed winners
<u>Singles</u> **	See Description elsewhere Both Days
<u>Puppy Sweeps</u> *	Puppies between 6 & 18 months are run once individually. Sat. only-
<u>Veteran Sweeps</u>	Dogs 7 years & older on date of trial. Run once individually. Sat. only
<u>Breeder Stake</u>	Open to any 2 hounds in the official classes bred by the same person(s) Sat. Only
<u>Kennel Stake</u>	Open to any 2 hounds in the official classes owned & kennelled by the same Person(s). Sun Only

NOTE: \*\* Breeder & kennel stakes combinations must be declared prior to Roll Call

- Puppy Sweeps must not be entered in open stake

-

## PLACEMENT AND AWARDS

Chapter 7. Section 1. Championship points are awarded in regular stakes only on the following basis

- 1<sup>st</sup> 4 X # of hounds competing in stake, to a max. of 40 points
- 2<sup>nd</sup> 3 X # of hounds competing in stake, to a max. of 30 points.
- 3<sup>rd</sup> 2 X # of hounds competing in stake, to a max. of 20 points
- 4<sup>th</sup> 1 X # of hounds competing in stake, to a max. of 10 points.

NBQ No points

No hound shall receive a placement or points if it does not score at least 50% of the total possible combined scores. If a hound has been excused in the preliminary run, that hound shall not count as having been in completion. Exhibitors please note: As per rule 9.6.1(B) of the CKC Lure Field Trial Rules and Regulations a dog must "Attain 1 first or 2 second placements by defeating dogs in head to head.

"A judge officiating at a field trial under the rules and regulations of the CKC shall not be subjected to indignities of any kind during the progress of the field trial. It shall be the duty and obligation of the club holding the field trial to see that this regulation is effectively carried out. The Field Trial Chairperson shall promptly report to the Canadian Kennel Club and infringement of this regulation and the Discipline Committee shall have the power to take such action as it deems fit on receipt of a report indication that this regulation has been violated."

### AWARDS

Rosettes will be awarded for BIF and BOB. Strip ribbons will be given for placement 1<sup>st</sup> through to NBQ Novice flat ribbons awarded with qualified scores.

There will be prizes for Best in Field and Best of Breeds.

Prizes are also offered for the winners of the puppy and veteran sweeps. Breeder & Kennel stakes

### ATTENTION EXHIBITERS

Pre-certs will be run Saturday July 12th . If anyone needs a dog pre-cert PLEASE contact our trial secretary to make arrangements.

There will be a \$10.00 fine for dogs loose on the field and not part of the course from after roll call to after Best in Field.

Effective January 12, 1992 all dogs that are foreign born and foreign owned and enter Canada for the sole purpose of entering CKC events will no longer require a CKC registration number but may obtain an Event Registration Number (ERN). This ERN number does not register a dog with the CKC for breeding purposes as defined in the Animal Pedigree Act but rather enables a foreign-born and foreign-owned dog to be awarded titles by the CKC. Each dog must have its own number. The ERN number must be applied for within 30 days of the first day of entering a CKC event.

Dogs may be entered as "listed" however failure to apply for an ERN number within 30 days of the first event will result in a cancellation of any wins, rewards or scores.

To obtain an ERN number, send a photocopy of the dog's registration certificate reflecting current ownership with a written request for an ERN number. Include a cheque, money order or credit card authorization for \$57.75. Ensure you have enclosed a full return address. Faxed request will be accepted. Forward your request to:

Canadian Kennel Club, Shows and Trials Division

200 Ronson Drive, Suite 400  
Etibicoke, Ontario, M9W 5Z9 Fax: 416-675-6506

\*\* People can park in the parking lot. Bathrooms available. Bring shade for your dogs.

People will be expected to clean up after themselves and their dogs. There will be a \$10.00 fine for those caught NOT cleaning up after their dogs.

Lunch will be available. \$10.00 per person.

\*\*SINGLE STAKES dogs will be run individually and scored by both judges. Hounds will run after the open stake has completed its preliminary round and then again after the open stake has completed its final round. A random draw will determine the order of running of dogs in this stake. Dogs must wear a blanket.

#### DIRECTIONS TO THE FIELD

- Oakville Fair Grounds. **Directions:**
- Head southwest on Tupper St. N/MB-240 S (about 3 minutes)
- Turn left at E Saskatchewan Ave/Trans-Canada Hwy/MB-1A E/MB-240 S (signs for Trans Canada Highway/Manitoba 1 Alternate) Continue to follow Trans-Canada Hwy/MB-1A E. (about 7 minutes)
- Keep left at the fork, follow signs for MB-1 E/Trans Canada Highway/Yellowhead Highway/Winnipeg and merge onto Trans-Canada Hwy/MB-1 E. (about 17 minutes)
- Turn right at 331 Rd.
- Morrison Sports Park 475 PTH 331, MB R0H 0Y0.
- Traveling East- Take Trans Canada Hwy #1 Hwy 13 (other side of Portage La Prairie) turn right on Hwy !3. Continue about 2 miles. Park right on the cross road.

#### ACCOMODATION

Campers may camp right at the site.

Portage La Prairie

- Super 8 Motel – Hwy 1A W - 204-857-8883
- Days Inn – Hwy 1 & Yellow Quill – 204-857-9791

## JUDGING ASSIGNMENTS

	Saturday	Sunday
Afghan	LM/CG	LM/CG
Basenji	CG/LM	LM/CG
Borzoi	LM/CG	LM/CG
Deerhound	LM/CG	LM/CG
Greyhound	CG/LM	CG/LM
Ibezan Hound	CG	CG
Irish Wolfhound	LM/CG	LM/CG
Italian Greyhound	LM/CG	LM/CG
Pharaoh Hound	LM/CG	LM/CG
Saluki	LM/CG	LM/CG
Whippet	LM/DF	LM/DF



OFFICIAL CANADIAN KENNEL CLUB FORM

LURE COURSING

**MANITOBA GAZEHOUD ASSOCIATION**

Saturday Sunday

I Enclose \$ \_\_\_\_\_ for Entry Fees \$ \_\_\_\_\_ Listing Fees \$ \_\_\_\_\_

PLEASE TYPE OR PRINT CLEARLY

Breed \_\_\_\_\_ Call Name: \_\_\_\_\_ Sex \_\_\_\_\_

Enter in the following Stakes OPEN \_\_\_ SINGLE \_\_\_ PUPPY \_\_\_ VETERAN \_\_\_ UNOFFICIAL \_\_\_\_\_

Please separate my entries \_\_\_ Hound's first trial \_\_\_ (attach Certification Form)

Registered

Name of the Dog \_\_\_\_\_

Check one and enter number here:

\_\_\_ CKC Reg. No.

Date of Birth \_\_\_\_\_

\_\_\_ CKC ERN or PEN No.

\_\_\_ CKC Misc. Cert No.

Place of Birth:

\_\_\_ Listed

Canada \_\_\_ Elsewhere \_\_\_\_\_

\_\_\_ Foreign No. & Country

Breeder(s) \_\_\_\_\_

Sire: \_\_\_\_\_

Dam: \_\_\_\_\_

Reg'd Owner(s) \_\_\_\_\_

Owners Address: \_\_\_\_\_

City: \_\_\_\_\_

Name of Owner's Agent (if any) at the Trial \_\_\_\_\_

Agents Address \_\_\_\_\_

City \_\_\_\_\_ Prov. \_\_\_\_\_ PC \_\_\_\_\_

I certify that I am the registered owner(s) of the dog or that I am the authorized agent of the owner(s) whose name(s) I have entered above and accept full responsibility for all statements made in this entry. In consideration of the acceptance of this entry I (we) agree to be bound by the rules and regulations of the Canadian Kennel Club and by any additional rules and regulation in the premium list.

\_\_\_\_\_  
SIGNATURE OF OWNER OF AGENT

\_\_\_\_\_  
TELEPHONE



**CANADIAN KENNEL CLUB**  
 200 ROBINSON DRIVE, SUITE 400, ETOBICOKE, ONTARIO, M9W 5Z9 TEL: (416) 675-5511 FAX: (416) 675-6505  
 WEBSITE: WWW.CKC.CA

**CLUB CANIN CANADIEN**

**HOUND CERTIFICATION**

A hound must be tested with another dog of the same breed or a breed with a similar running style (preferably not a kennel mate), and certified running clean by a licensed judge.

Hounds must be a minimum of 11 months old prior to being certified, and must run a course of 600 yards (548.4m) in order to be certified. Please complete the bottom half of this form and attach it to the entry form for the hound's first entry in a trial. (see Section 7.1.1)

Registered Name of Hound: \_\_\_\_\_

CKC Reg # \_\_\_\_\_ Breed: \_\_\_\_\_

Registered Owner's Name: \_\_\_\_\_

I hereby certify that on (date) \_\_\_\_\_ the above named hound completed a lure course of at least 600 (548.4 m) yards running with another hound of the same breed (or another breed with a similar running style). During the course the above named hound showed no inclination to interfere with the other hound. I further certify that I am a regularly licensed judge.

Name of Licensed Judge \_\_\_\_\_

Signature: \_\_\_\_\_ Date \_\_\_\_\_

I hereby certify that the hound run in the certification course is the hound identified above and that the information on this form is correct.

Signature: \_\_\_\_\_ Date \_\_\_\_\_  
 Owner or authorized Agent of hound \_\_\_\_\_

**Waiver of Requirement:** This requirement will be waived for a hound that has earned a lure coursing title from another recognized organization if such title required competition, and if a waiver for such title has been approved by the Canadian Kennel Club. If your hound qualifies for a waiver, complete the top half of this form and attach it to your entry form.

AKC Titles:  QC  SC ASFA Titles: FCh  VFCh

This certification form must be attached to the entry form the first time this hound is entered. Any hound entered in open which has not been certified shall be declared ineligible and shall forfeit any points and placements awarded.

PLEASE RETAIN A COPY FOR YOUR RECORDS



**CANADIAN KENNEL CLUB**  
 200 ROBINSON DRIVE, SUITE 400, ETOBICOKE, ONTARIO, M9W 5Z9 TEL: (416) 675-5511 FAX: (416) 675-6505  
 WEBSITE: WWW.CKC.CA

**CLUB CANIN CANADIEN**

**HOUND CERTIFICATION**

A hound must be tested with another dog of the same breed or a breed with a similar running style (preferably not a kennel mate), and certified running clean by a licensed judge.

Hounds must be a minimum of 11 months old prior to being certified, and must run a course of 600 yards (548.4m) in order to be certified. Please complete the bottom half of this form and attach it to the entry form for the hound's first entry in a trial. (see Section 7.1.1)

Registered Name of Hound: \_\_\_\_\_

CKC Reg # \_\_\_\_\_ Breed: \_\_\_\_\_

Registered Owner's Name: \_\_\_\_\_

I hereby certify that on (date) \_\_\_\_\_ the above named hound completed a lure course of at least 600 (548.4 m) yards running with another hound of the same breed (or another breed with a similar running style). During the course the above named hound showed no inclination to interfere with the other hound. I further certify that I am a regularly licensed judge.

Name of Licensed Judge \_\_\_\_\_

Signature: \_\_\_\_\_ Date \_\_\_\_\_

I hereby certify that the hound run in the certification course is the hound identified above and that the information on this form is correct.

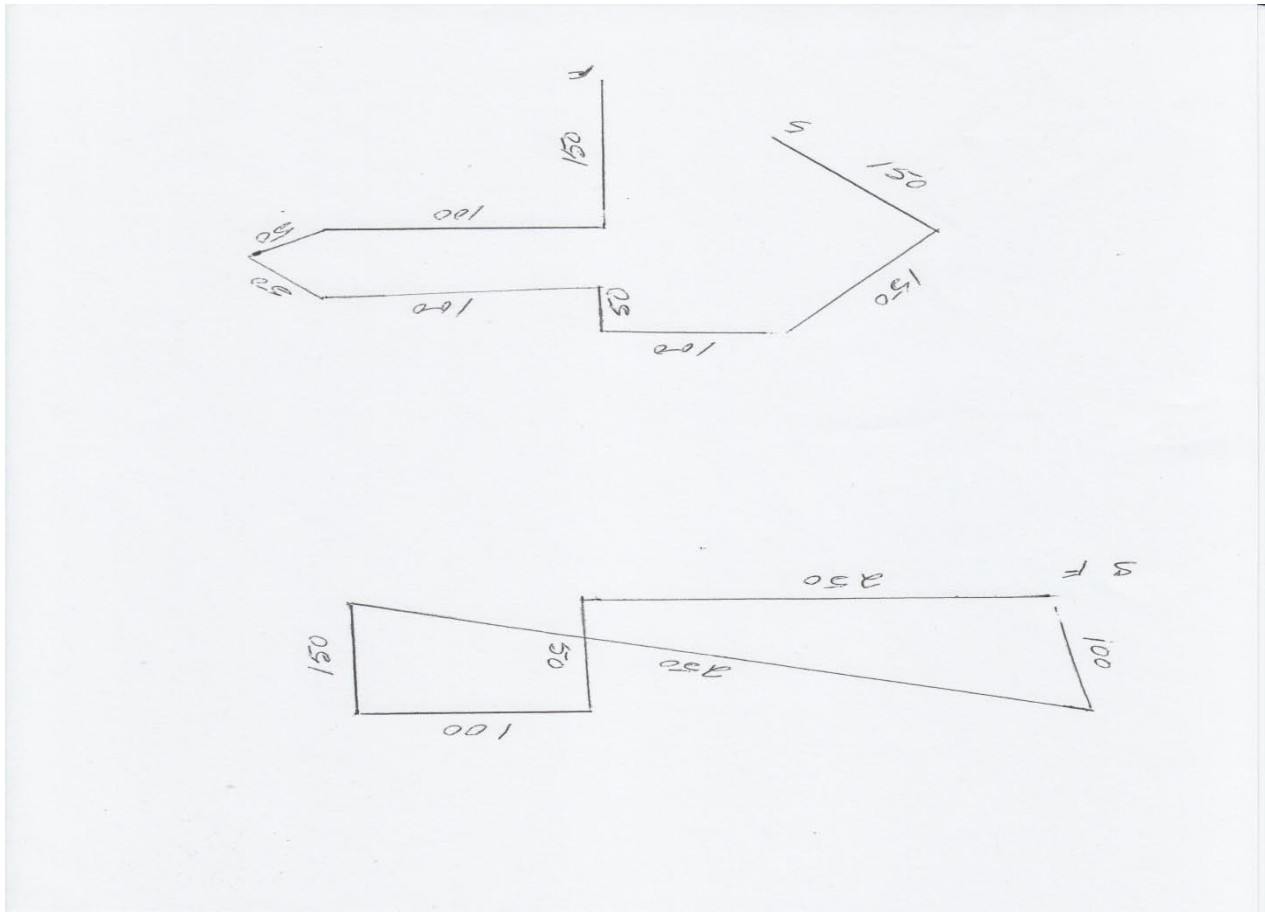
Signature: \_\_\_\_\_ Date \_\_\_\_\_  
 Owner or authorized Agent of hound \_\_\_\_\_

**Waiver of Requirement:** This requirement will be waived for a hound that has earned a lure coursing title from another recognized organization if such title required competition, and if a waiver for such title has been approved by the Canadian Kennel Club. If your hound qualifies for a waiver, complete the top half of this form and attach it to your entry form.

AKC Titles:  QC  SC ASFA Titles: FCh  VFCh

This certification form must be attached to the entry form the first time this hound is entered. Any hound entered in open which has not been certified shall be declared ineligible and shall forfeit any points and placements awarded.

PLEASE RETAIN A COPY FOR YOUR RECORDS



### Course Plans

The club reserves the right to alter the course plan as required by weather and/or field conditions on the day of the trial. Course will be reversed for finals and again for run-offs and BOB. Field is mowed grass.



